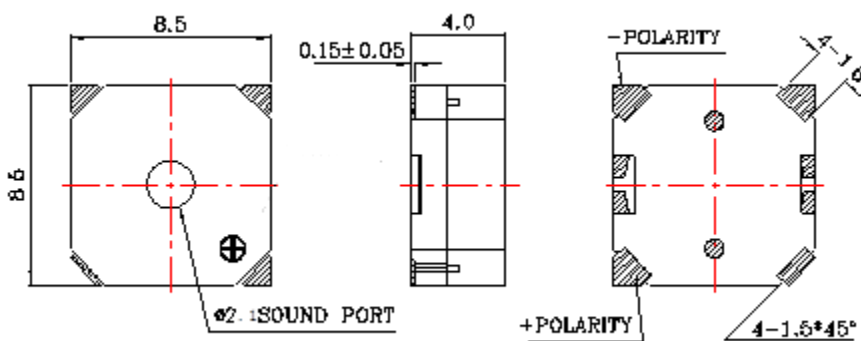
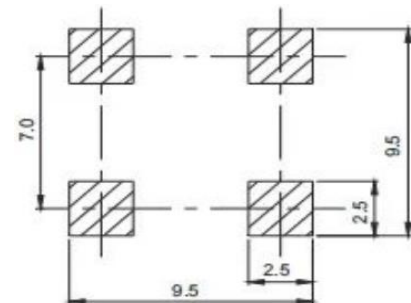


**May not be suitable for all Medical and Aerospace applications.
Contact Mallory Sonalert to discuss your application.**

NO CIRCUITRY

Oscillation Frequency (Hz)	4000
Operating Voltage (Vpp)	3.6 ~ 5
Rated Voltage (Vpp)	4.4
Current Consumption Max. (mA)	140 at Rated Voltage
Sound Pressure Level Min. (dB)	105 at 10cm at Rated Voltage
Coil Impedance (Ω)	12 ± 3
Operating Temperature ($^{\circ}\text{C}$)	$-30 \sim +70$
Storage Temperature ($^{\circ}\text{C}$)	$-30 \sim +80$
Housing	LCP Plastic Resin (Color: Black)
Type of Connection	SMD
Weight (Grams)	0.8
Condition by reflow soldering ($^{\circ}\text{C}$)	260 ± 5 / within 5 sec
Condition by hand soldering ($^{\circ}\text{C}$)	350 ± 20 / within 5 sec
Options	For other options contact factory

Dimensions: (units: mm) Tol: ± 0.5 **Pad Layout:****Packaging:** Parts are supplied on cut tape.

Units do not come with wash label and are not appropriate for aqueous wash.