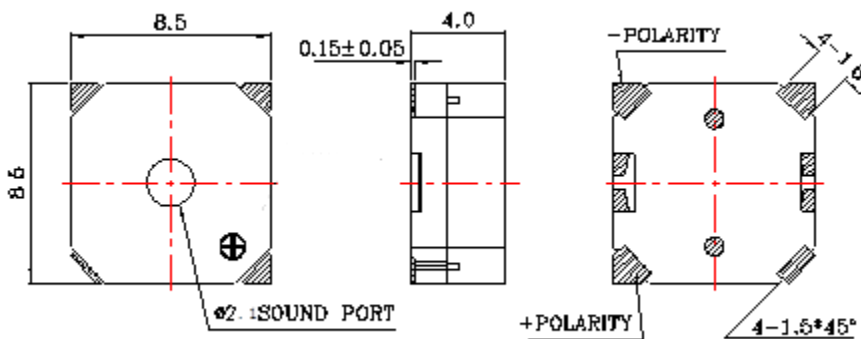
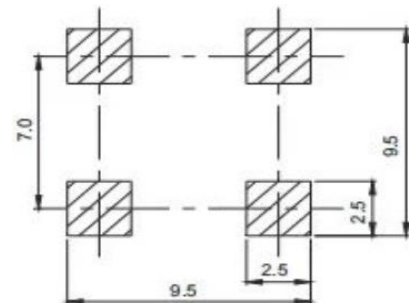


**May not be suitable for all Medical and Aerospace applications.  
Contact Mallory Sonalert to discuss your application.**

**NO CIRCUITRY**

Oscillation Frequency (Hz)	4000
Operating Voltage (Vpp)	3.6 ~ 5
Rated Voltage (Vpp)	4.4
Current Consumption Max. (mA)	140 at Rated Voltage
Sound Pressure Level Min. (dB)	105 at 10cm at Rated Voltage
Coil Impedance ( $\Omega$ )	$12 \pm 3$
Operating Temperature ( $^{\circ}\text{C}$ )	$-30 \sim +70$
Storage Temperature ( $^{\circ}\text{C}$ )	$-30 \sim +80$
Housing	LCP Plastic Resin (Color: Black)
Type of Connection	SMD
Weight (Grams)	0.8
Condition by reflow soldering ( $^{\circ}\text{C}$ )	$260 \pm 5$ / within 5 sec
Condition by hand soldering ( $^{\circ}\text{C}$ )	$350 \pm 20$ / within 5 sec
Options	For other options contact factory

**Dimensions:** (units: mm) Tol:  $\pm 0.5$ **Pad Layout:**

**Packaging:** Parts are supplied on reels (1000 pcs per tape and reel).

Units do not come with wash label and are not appropriate for aqueous wash.