

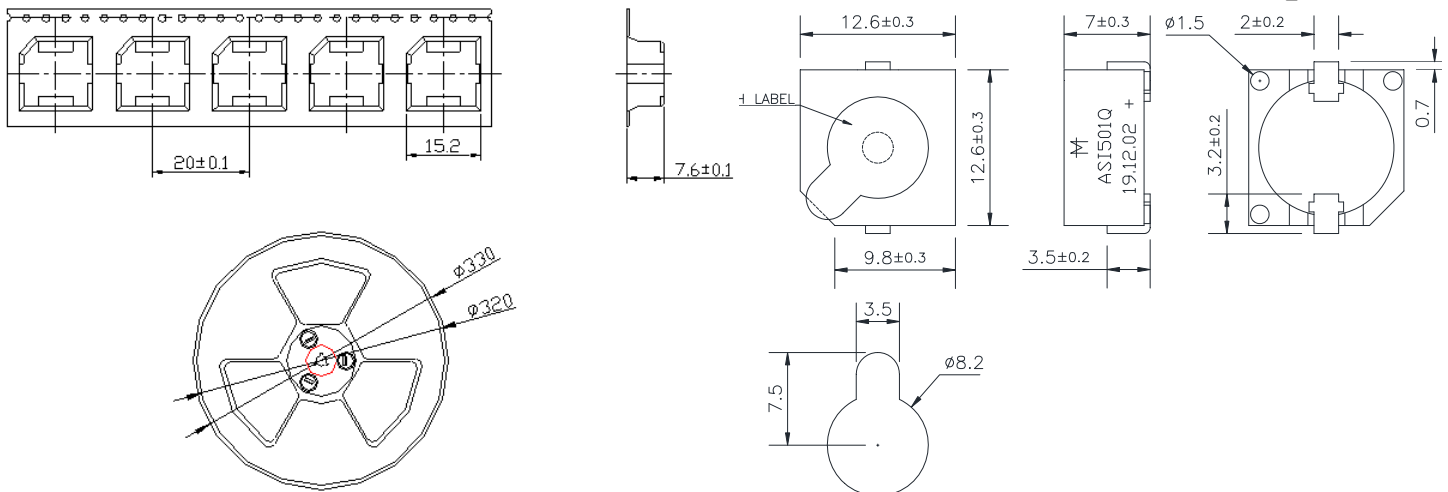
**May not be suitable for all Medical and Aerospace applications.  
Contact Mallory Sonalert to discuss your application.**

**NO CIRCUITRY**

Resonant Frequency (Hz)	2400
Operating Voltage (Vp-p)	1.0 ~ 2.0
Rated Voltage (Vp-p)	1.5
Current Consumption Max. (mA)	50 at Rated Voltage
Sound Pressure Level Min. (dB)	87 at 10cm at Rated Voltage
Coil Resistance ( $\Omega$ )	$15 \pm 3$
Inductance (mH)	Max 2mH
Operating Temperature ( $^{\circ}\text{C}$ )	-30 ~ +85
Storage Temperature ( $^{\circ}\text{C}$ )	-40 ~ +85
Housing	PPS plastic resin (Color: Gray)
Type of Connection Terminals	SMD
Weight (Grams)	2.6
Options	For other options contact factory

**Dimensions:** (units: mm)

Vp-p = 1/2duty, square wave

**ROHS Compliant****Recommended PCB Layout:**

**Packaging:** Parts are supplied on reels (450 pcs per reel).

Units come with wash label and are appropriate for aqueous wash.